



Fig. 1

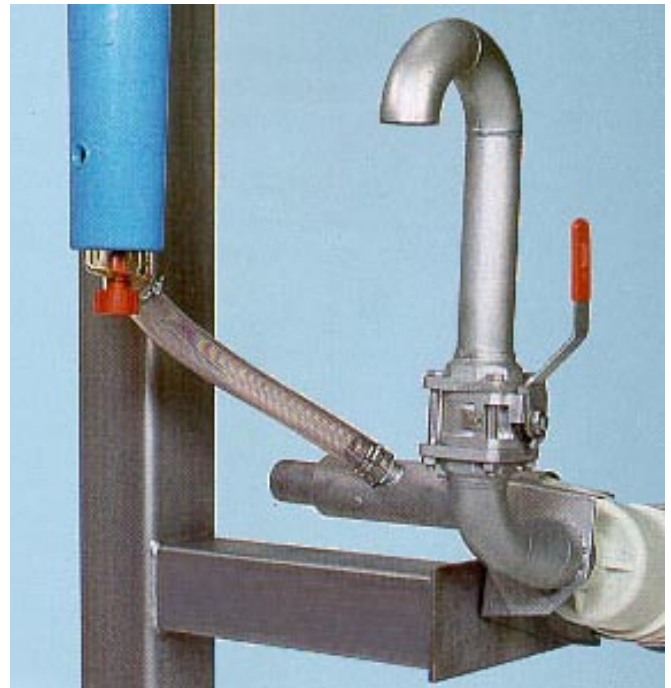


Fig. 2

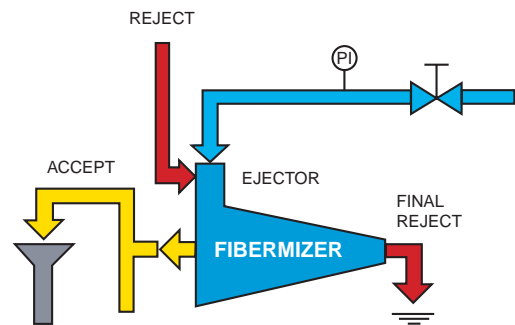


Fig. 3

Single Fibermizer is a final stage of a centrifugal cleaner system intended for the recovery of fibers and fillers in Celleco and Albia centrifugal cleaner systems. Single Fibermizer can also be used to replace final stages of cleaner plants from other manufacturer, in addition to Celleco™ and Albia™ final stage cleaners.

Single Fibermizer consists of a Fibermizer™ apparatus directly connected to a small last stage Cleanpac™ 350, Cleanpac 700 or Albia 500 bank, or to a larger apparatus, e.g. Albia 1600.

Single stage Fibermizer can be built in combination with 1, 2 or 3 cleaners. It is combined with the preceding cleaner stage through direct reject connection without a pump.

The Fibermizer can also be supplied in a two-stage design. See description No. PD 98011 E.

## Key benefits

- Up to 90% reduction of fiber loss without reducing system efficiency
- No additional pumps required
- No instruments required\*
- No pipework or tank installation
- No valves required\*
- Simple to operate

\* Dilution water pressure must be controlled and monitored via a pressure gauge.

## Capacity

**Max. feeding reject flow (volume):**

90 l/min (24 USgpm) per cleaner

**Max. feeding reject flow (weight)\*:**

2 kg (4.5 lbs) BD/min per cleaner

**Feeding reject pressure to FIBERMIZER:**

50-70 kPa (7.25 - 10 psi)

**Required dilution water flow:**

180 l/min (48 USgpm) per cleaner at 200 kPa

**Final reject flow:**

15-30 l/min (4-8 USgpm) per cleaner

\* Including fibers from dilution water

## Material

All wetted parts are made of stainless steel, Celleco 316 L. Structure of painted mild steel, SS 1312; flanges of hot dip galvanized steel. Cleaners, nozzles and ejectors are made of plastic material. Ceramic cones are available as an option for high abrasive use.

## Patents

The design is protected by patents and patent pendings. In North America the equipment is marketed under the trade name of RCC-II™.

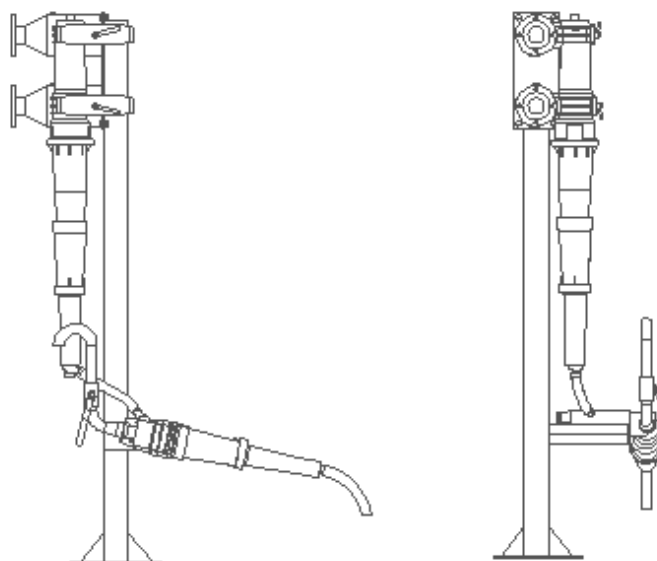


Fig. 3 A Single Fibermizer integrated with a Cleanpac 700 cleaner unit.

## GL&V Pulp and Paper Group

GL&V Sweden AB, POB 100, SE-129 22 Stockholm, Sweden. Tel.: +46 (8) 522 444 00. Fax: +46 (8) 522 444 99. E-mail: info.stockholm@glv.com

GL&V Finland Oy, POB 161, FIN-02631 Espoo, Finland. Tel.: +358 (9) 5766 5600. Fax: +358 (9) 5766 5656. E-mail: info.espool@glv.com

GL&V St-Petersburg, Zhukovskogo str. 63, St. Petersburg, 193036 Russia. Tel.: +7 (812) 324 7277. Fax: +7 (812) 324 7278. E-mail: info.st-petersburg@glv.com

Internet: [www.glv.com](http://www.glv.com)